

MICRO SERVO MOUNTING HOLES MUST BE NO WIDER THAN 35MM.

The maximum micro lipo dimensions; 65MM LONG 35.5MM WIDE 15MM TALL



This kit is for experienced adult modelers.

XPRO

MICRO RS4 CHASSIS CONVERSION

Additional items needed:

- MicroRS4 kit
- Micro servo (Hitec 85MG etc.)
- Micro sized lipo pack
- Optional- RC18T2 servo saver set #ASC21326

Recommended tools:

- .05" & 1.5mm hex wrenchs
- Small phillips screwdriver
- Round file
- Needle nose pliers
- Side cutters
- BLUE thread lock

Parts list:

- 1 CARBON MAIN PLATE
- 1 CARBON ESC DECK
- 1 CARBON REAR DECK
- 1 FIBER T-PLATE
- 1 CARBON SERVO SPACER
- 2 ALLOY SERVO MOUNTS
- 1 ALLOY SHOCK PLATE
- 1 ANTENNA MOUNT
- 1 ALLOY HINGE BRACE
- 1 STEEL MOUNT
- 2 NYLON BATTERY STOP

Hardware list (NOTE If a screw is not listed here then use the stock kit screws)

- | | | |
|--------------------------|---------------------------|-------------------------|
| A x2
M2.5X3 SET SCREW | E x4
M2.5 X 6 SCREW | I x2
SHORT POSTS |
| B x2
O-RINGS | F x2
LONG POSTS | J x2
M2 X 4 CS SCREW |
| C x4
M2 X 4 SCREW | G x8
M2.5 X 6 CS SCREW | K x3
M2 WASHER |
| D x1
M2X6 SET SCREW | H x2
M2 X 8 CS SCREW | L x1
M3X8 SCREW |



This kit is for experienced modelers and you build and use it at your own risk.

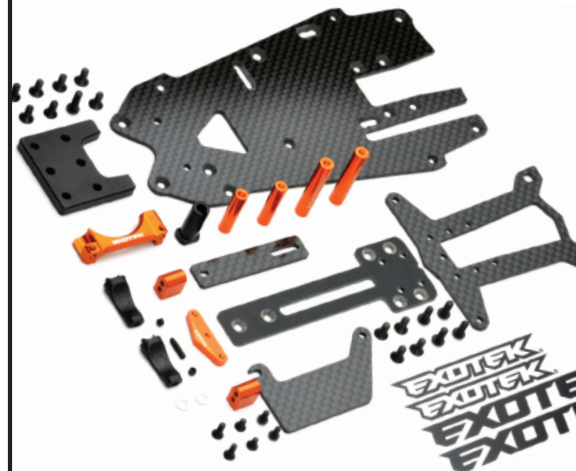
Review instructions fully before starting this build.

Metal to metal parts requires a small amount of BLUE thread lock. Allow threadlock to cure before operating.

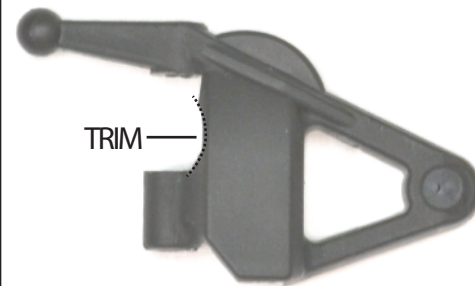
Your car will perform better if you take your time assembling this as well as all kits.

Thank you for purchasing this product. Enjoy RC for life!

1. Note included parts in the conversion shown here.



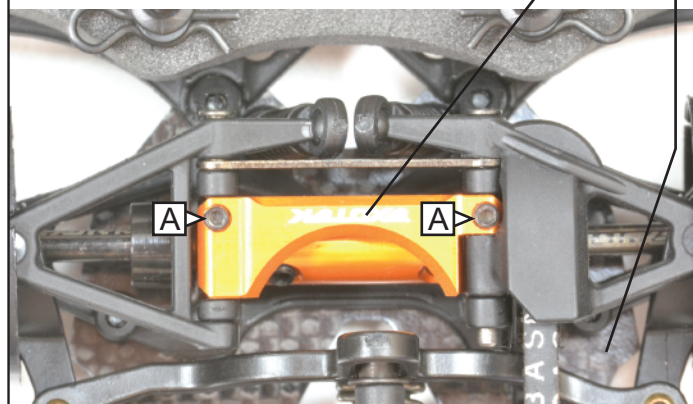
2. TRIM or file the front right arm as shown here for proper clearance of the set screw in step 3.



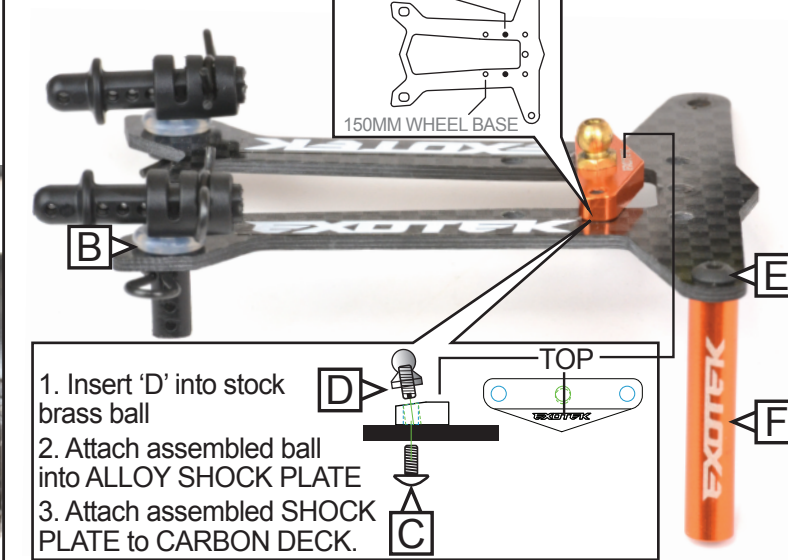
USE BLUE THREAD FOR METAL TO METAL SCREWS.

3. Attach front gear box assembly to BOTTOM PLATE using the stock phillips hardware.

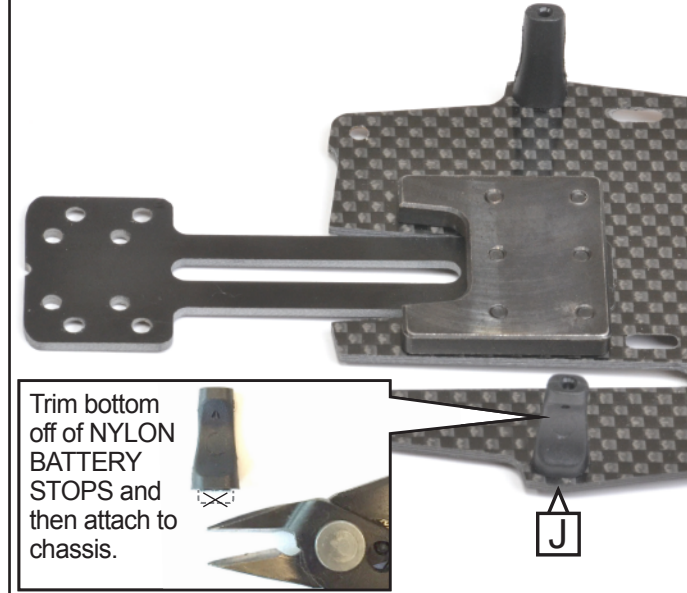
Attach ALLOY HINGE BRACE as shown.



4. Attach rear body post and assemble CARBON REAR DECK as shown.



5. Assemble T-PLATE to BOTTOM PLATE as shown.



Trim bottom off of NYLON BATTERY STOPS and then attach to chassis.

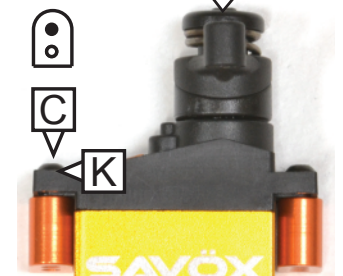
6. Attach rear axle and REAR DECK as shown.



7. Attach SERVO MOUNTS.

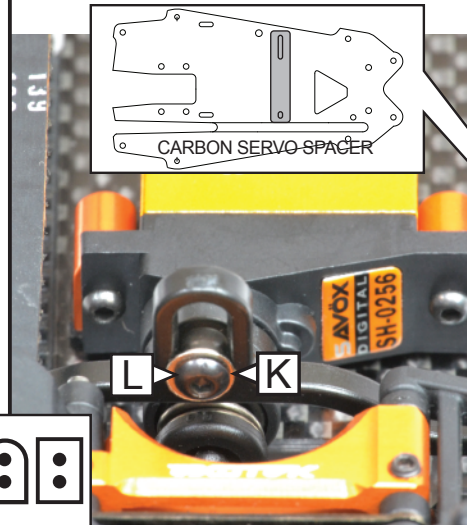
MICRO SERVO MOUNTING HOLES MUST BE NO WIDER THAN 35MM.

RC18T2 servo saver set #ASC21326

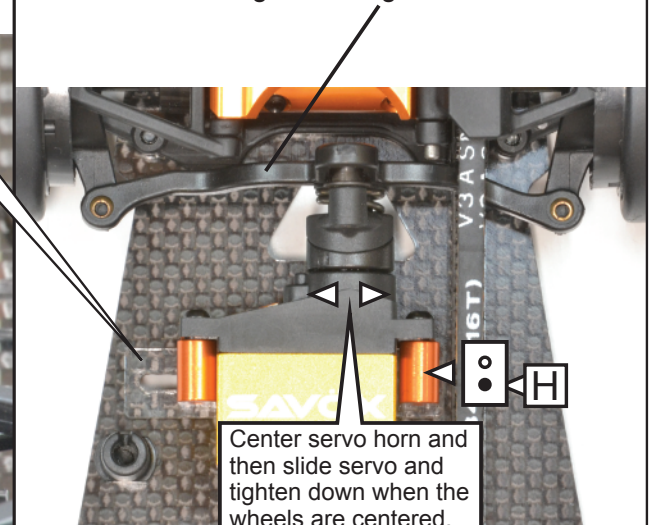


NOTE- Servo mounts are multi position. Attach and adjust as needed for different sized micro servos.

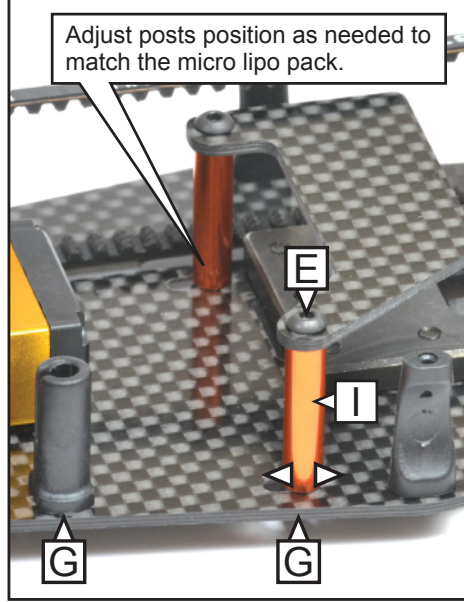
8. Attach micro servo as shown. CARBON SERVO SPACER must go under the servo



9. Center the wheels by centering the servo horn and sliding the servo. Adjust final centering via the radio. Note the drag link is longer on the left side.



10. Attach CARBON ESC DECK and ANTENNA MOUNT.

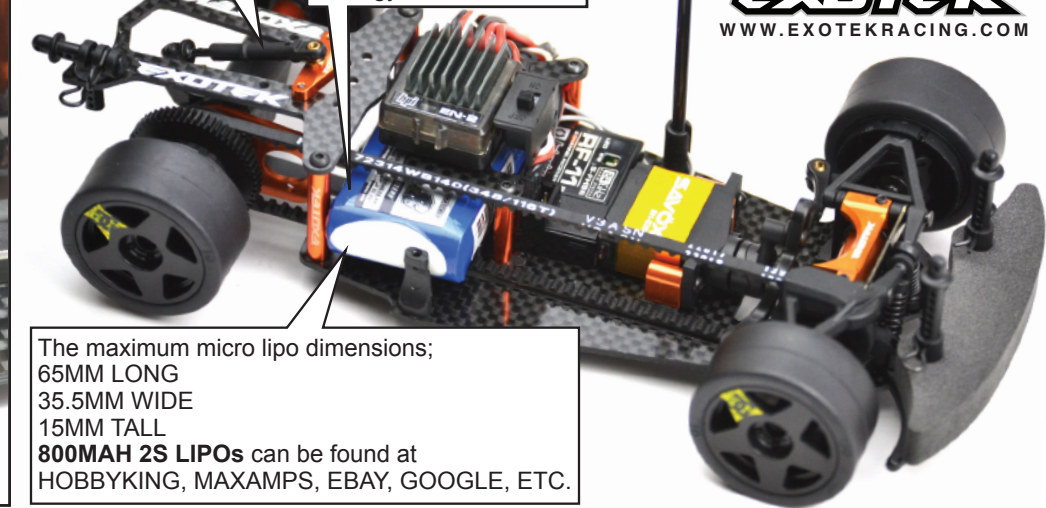


COMPLETE. Attach stock esc and receiver using servo tape.

Attach stock damper without spring. Use 100k silicone in damper.

DO NOT LET WIRES OR LIPO PACK DRAG ON THE GROUND OR THE DRIVELINE!

Turnigy 800mAh 2S 20C



The maximum micro lipo dimensions; 65MM LONG 35.5MM WIDE 15MM TALL 800MAH 2S LIPOs can be found at HOBBYKING, MAXAMPS, EBAY, GOOGLE, ETC.

